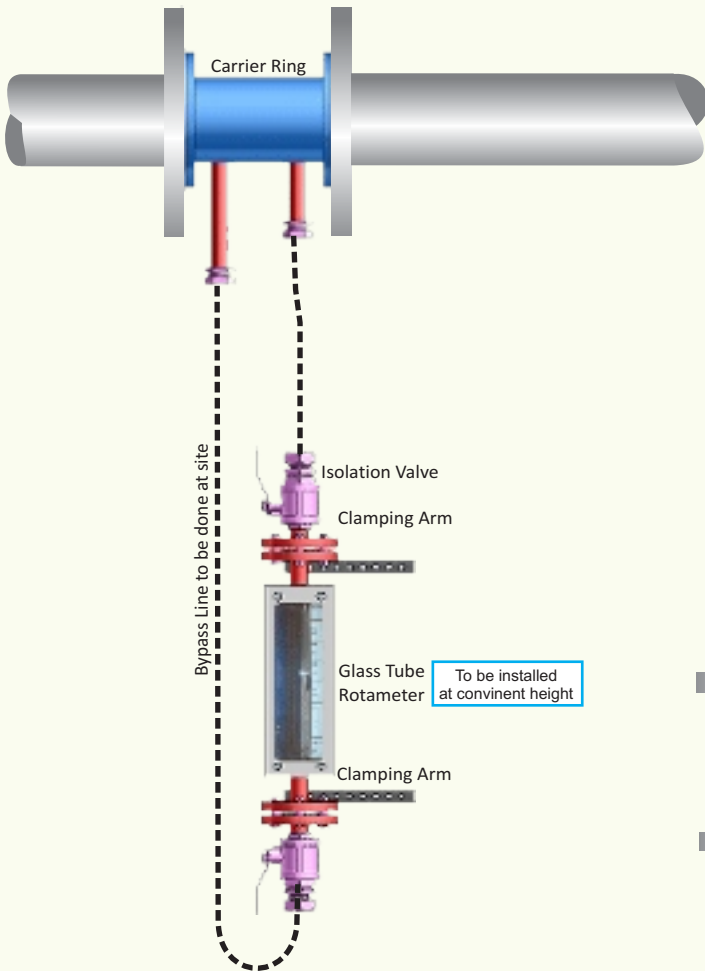




Rotameter

By - Pass
Variable Area Flowmeter

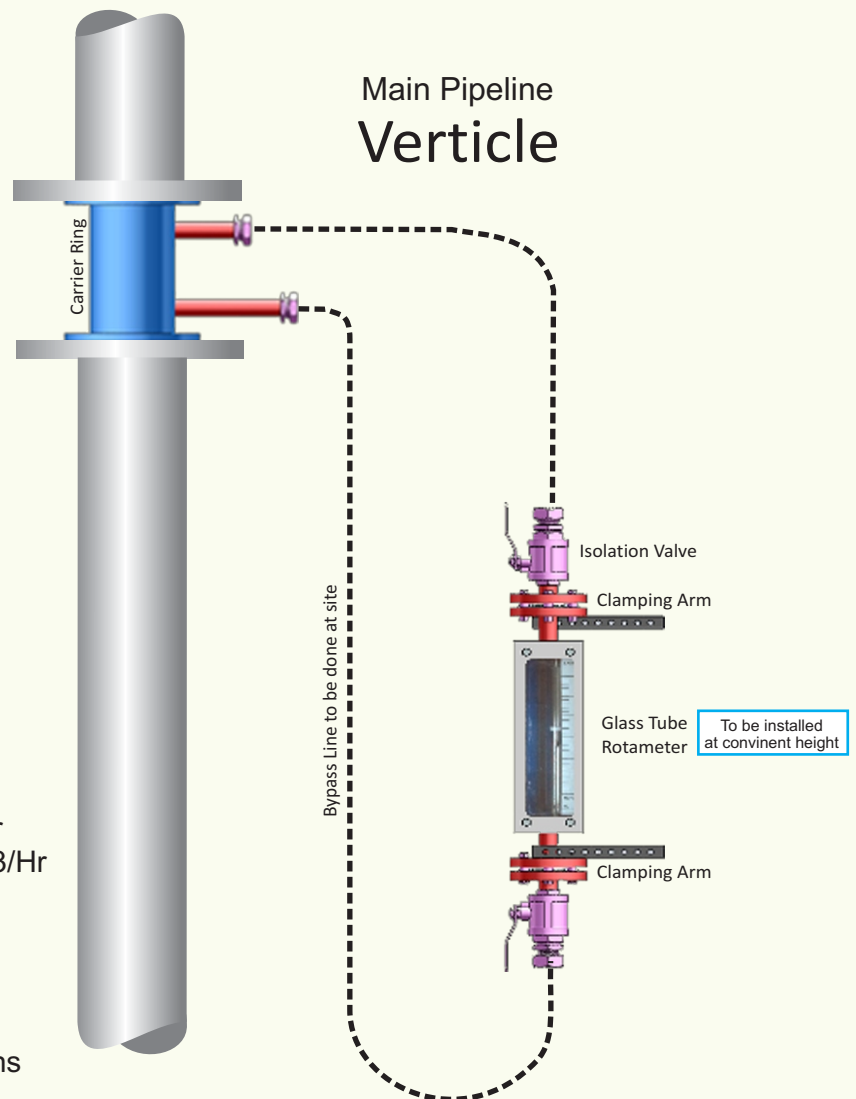
Main Pipeline Horizontal



Operating Principle

- ◆ By Pass Rotameter is an inference type Rotameter.
- ◆ Differential pressure (DP) is created in the main pipe line by providing an Orifice Plate in the main Pipe line.
- ◆ Because of this differential pressure a branch of flow moves through by- pass line provided across the orifice plate from up-stream side to down -stream side of Orifice Plate.
- ◆ An additional range orifice plate is provided in the by-pass line which is designed such that flow through by -pass line (through range orifice plate) flows in proportion with the flow through main pipe line (Main Orifice Plate)
- ◆ Hence by measuring the flow from By-pass Line we can estimate the flow through Main pipe Line.

Main Pipeline Verticle



Standard Features

- ◆ Easy to Maintain
- ◆ Most Economical – Low Cost
- ◆ Pipe Size:- 40 NB to 300 NB
- ◆ Flow range :- For Water:- 8 to 1500 M3/Hr
For Air :- 250 to 47000 NM3/Hr
- ◆ Two tone Powder coated Excellent finish
Rangeability:- 1:10 & 2:20
- ◆ Heavy duty design with maximum visibility
Various Options for Material Of Constructions

Tansa Equipments Pvt. Ltd.

Unit No. 35/36/41, Om Anand Industrial estate, M. S. Road, Raghunath Nagar, Thane - 400604 (Maharashtra) India.

Tel. : 2583 2323 , 65720669 Fax : 2582 3708,

E-mail : tansaindia@gmail.com / tansa@bom8.vsnl.net.in / tansa@mtnl.net.in

Website : www.tansaequipments.com, www.rotameters.co.in





Rotameter

By - Pass
Variable Area Flowmeter

Technical Specification

Orifice Plate:- For Main Pipe –designed as per ISO-5167-MOC-SS316

Rotameter :- In By-Pass Line:- Designed As Per ISA-RP16.1,2,3

Range Orifice Plate:- In Proportion to Main Orifice Plate

Accuracy:- For Rotameter:- 2% FS /

For assembly :-4% FS After calibrating on site.

Pressure Drop Meters OF H₂O

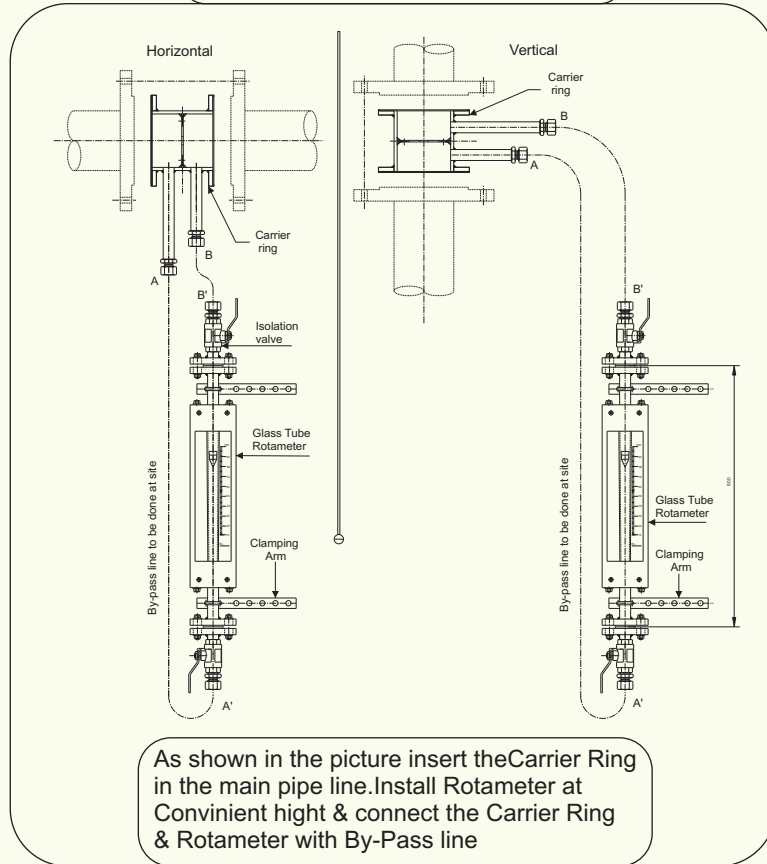
Main Line NB MM	Pressure Drop Meters OF H ₂ O									
	1.2	2.5	3.8	5.0	10.0	1.2	2.5	3.8	5.0	10.0
	LIQUID M ³ /Hr					AIR NM ³ /Hr				
40	8	12	14	16	22	246	350	424	492	730
50	13	19	22	27	38	407	577	713	815	1206
65	19	27	34	38	54	594	849	1019	1155	1699
80	29	40	52	59	83	917	1274	1580	1835	2684
100	59	86	104	120	170	1869	2616	3228	3738	5437
125	95	136	163	188	272	2888	4078	5097	5777	8496
150	136	192	227	272	385	4248	5947	7306	8496	12234
200	227	340	408	476	658	7306	10365	12744	14613	21409
250	363	522	635	749	1044	11554	16482	20390	23109	33984
300	522	749	930	1066	1498	16482	23109	28036	32284	47577

Data Required For Offer

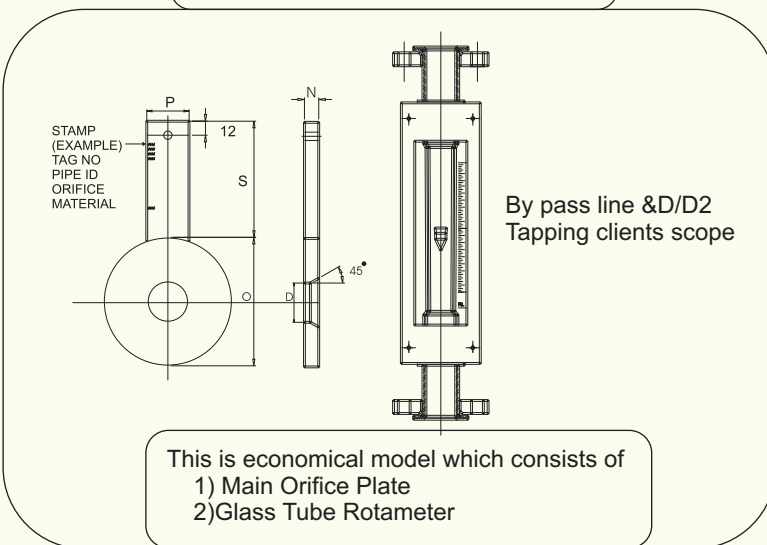
- 1) Tag No.
- 2) MOC of Pipe Line Size
- 3) Main Pipe Line Size
- 4) Flange Size, Specification
- 5) Flow

Maximum	Normal	Minimum
---------	--------	---------
- 6) Fluid
- 7) Operating conditions
 - A) Density
 - B) Pressure
 - C) Temperature
 - D) Viscosity.
- 8) Measuring Range

Model:-CR-GTR Carrier Ring & Glass Tube Rotameter



Model:-OP-GTR Orifice Plate & Glass Tube Rotameter



Tansa Equipments Pvt. Ltd.

Unit No. 35/36/41, Om Anand Industrial estate, M. S. Road, Raghunath Nagar, Thane - 400604 (Maharashtra) India.

Tel. : 2583 2323 ,65720669 Fax : 2582 3708,

E-mail : tansaindia@gmail.com / tansa@bom8.vsnl.net.in / tansa@mtnl.net.in

Website : www.tansaequipments.com, www.rotameters.co.in

